

lagoon® Advanced Care

Essential set

The perfect complement for any dry-cleaning operation

Features and benefits



Keep customers coming back

Outstanding results for garments of every type thanks to specialized detergents and dedicated programs



Delicate on the delicates

Gentle on fine textiles and wools labelled dry-clean only, as less mechanical action. Woolmark-approved



Rapid return on investment

With a better loading factor, less prespotting, easier finishing and faster process times



Sustainable and eco-friendly

Water-based cleaning with none of the disadvantages of PERC, which can be dangerous to staff



Dry to dry in 1 hour

Smart chemicals and processes mean garments are fully dried in the dryer - no hang-dry



Main specifications				WH6-6LAC
Rated capacity, Laundry	filling factor 1:9	kg		6
	Wool filling factor 1:15	kg		4
	Silk filling factor 1:18	kg		3
Drum, volume		litre		53
	diameter	∅ mm		452
Extraction		rpm		1450
G-factor				530
Heating alternative	electricity	kW		4.4
Consumption data "lagoon"				
Total time	Wool High	min		22
	Wool Medium	min		23
	Silk	min		16
	Synth. mix Medium	min		20
	Synth. mix Low	min		17
Water consumption (cold+hot)				
	Wool High	litre		26
	Wool Medium	litre		25
	Silk	litre		25
	Synth. mix Medium	litre		26
	Synth. mix Low	litre		25
Energy consumption (motor/heating/water)				
	Wool High	kWh		0.05/0.25
	Wool Medium	kWh		0.05/0.25
	Silk	kWh		0.05/0.2
	Synth. mix Medium	kWh		0.05/0.3
	Synth. mix Low	kWh		0.05/0.25
Consumption data ECO 60 1:9*				
Total time		min		50
Water consumption (cold+hot)		litre		29+10
Energy consumption (motor/heating/hot water)		kWh		0.2/0.15/0.6
Residual moisture		%		45

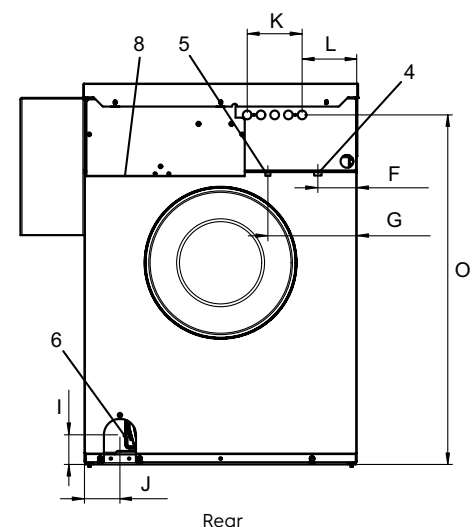
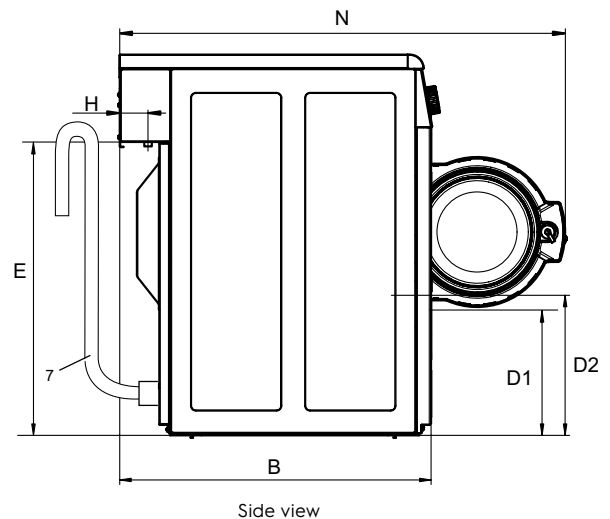
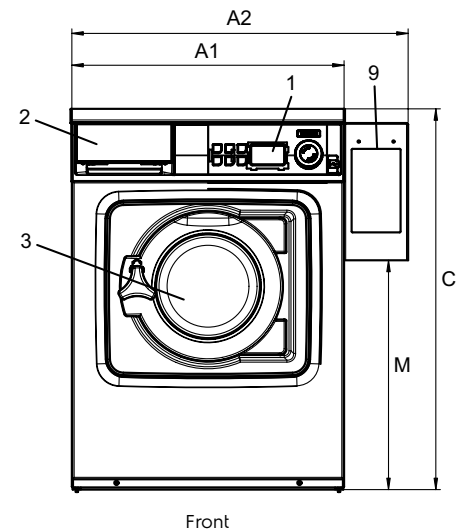
* Water temperature 15°C cold water and 65°C hot water.

Main specifications				TD6-7LAC		
Rated capacity, Drying	filling factor 1:18	kg		7.5		
Drum, volume		litre		135		
	diameter	∅ mm		575		
Heating alternative	electricity	kW		6.0		
	gas	BTU/h (kW)		7.0		
	heat pump	kW		2.3		
Consumption data "lagoon"				El	Gas	Heat pump
Total time	Wool High*	min		23	23	36
	Wool Medium*	min		20	20	33
	Synthetic mix**	min		25	25	39
Consumption data***						
Total time		min		30.0	30.0	42.0
Energy consumption (motor/heating/hot water)		kWh		3.23	3.67	1.28
Evaporation		g/min		104	101	73
Energy/Water evaporation		kWh/l		0.99	1.20	0.42

* 1:30 load 100% wool load at 30% initial moisture dried to 0%.
 ** 1:40 load 100% synthetic load at 20% initial moisture dried to 0%.
 *** At rated capacity 100% cotton load at 50% initial moisture dried to 0%.

Electrical connections					
Heating alternative	Main voltage		Heating power kW	Total power kW	Recommended fuse A
	Hz				
Electric heated	220-240V 1N -	50/60	2.2/2.8	2.4/3.0	16
	220-240V 1N -	50/60	4.4	4.6	20
	220-230V 1N -	50/60	3.3/4.4	3.5/4.6	16/25
	220-240V 3 -	50/60	4.4	4.6	16
	220-230V 3 -	50/60	4.4	4.6	20
	380-415V 3N -	50/60	4.4	4.6	10
	380-400V 3 -	50/60	3.3/4.4	3.5/4.6	10/10
	380-415V 3 -	50/60	3.6	3.8	10
	440V/480 3 -	60	4.0/4.4	4.3/4.7	10
Non heated	100-240V 1/1N -	50/60	-	0.5	10

Water connections		WH6-6LAC	
Water valves	DN	20	
Water pressure	kPa	200-500	
Capacity at 300 kPa	l/min	17	
Drain pump	∅ mm	20	
Draining capacity	l/min	160	
Liquid detergent supplies		5	
Floor requirements			
Frequency of the dynamic force	Hz	24.2	
Floor load at max extraction	kN	1.02 ± 0.3	
Sound levels			
Sound power/pressure level at extraction*	dB(A)	70/56	
Sound power/pressure level at wash*	dB(A)	56/42	
Heat emission			
% of installed power, max		5	
Shipping data**			
Shipping volume	net, kg crated, m ³	100 0.46	
Accessories			
Stainless steel fluff collector		x	
Stacking kit with tumble dryer		x	
Steel base		x	
Dimensions in mm			
A1	Width	595	
A2	Width	735	
B	Depth	680	
C	Height	830	
D1		285	
D2		310	
E		640	
F		85	
G		195	
H		50	
I		65	
J		80	
K		120	
L		120	
M		500	
N		975	
O		765	
1	Operating panel	6	Drain valve
2	Detergent box	7	Drain pump
3	Door opening ∅ 255 mm	8	Electrical connection
4	Cold water	9	Payment system
5	Hot water		



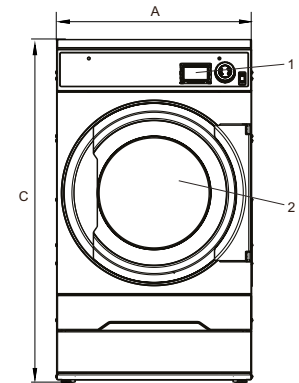
Front and side panels in silver grey and dark blue (color samples can be ordered on part number 472998313).

* Sound power levels measured according to ISO 60704.

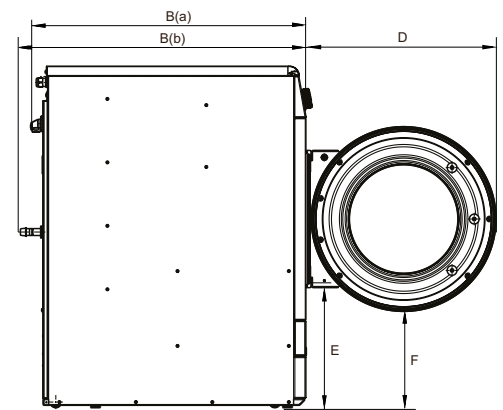
** Average data. Crated weight/shipping volume depends on configuration. Please contact logistics for exact measures.

Electrical connections					
Heating alternative	Main voltage		Heating power kW	Total power kW	Recommended fuse A
		Hz			
Electric heated	220-240V 1 -	50/60	6.0	6.3	32
	220-230V 3 -	50/60	6.0	6.3	20
	240V 3 -	50/60	6.0	6.3	16
	380-400V 3 -	50/60	6.0	6.3	16
	415/440/480V 3 -60	50/60	6.0	6.3	10
Gas heated	220-480V 1/3 -	50/60	*	0.3	10

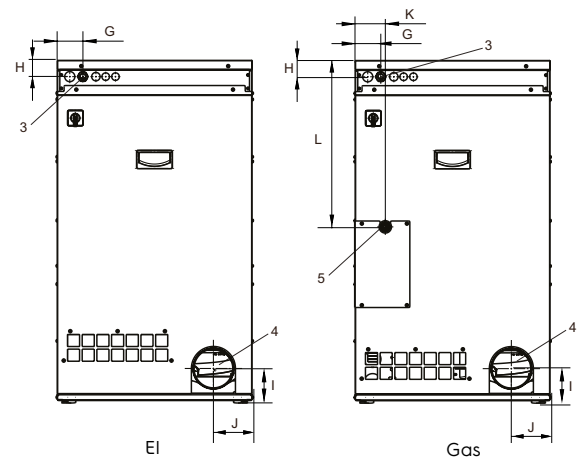
* Total power and recommended fuse does not depend on the heating power in those cases.



Front



Left side



Rear side

Gas and air connections			TD6-7LAC
Gas		ISO 7/1-R	1/2"
Gas pressure	Natural gas	Pa	2000
		mbar	20
	Propane	Pa	2800-5000
		mbar	28-50
Air outlet		ø mm	125
Evacuated air,	el 3.0/4.5 kW	m ³ /h	150
	6.0 kW	m ³ /h	220
Pressure drop	gas 7.0 kW	Max. Pa	280
	el 3.0/4.5 kW	Max. Pa	350
	6.0 kW	Max. Pa	270
	gas 7.0 kW		230
Sound levels			
Sound power/pressure level at drying*		dB(A)	63/48
Heat emission			
% of installed power, max			15
Shipping data**			
Weight		kg	109
Shipping volume		crated, m ³	0.81
Dimensions in mm			
A	Width		600
B(a)	Depth, el		845
B(b)	Depth, gas		875
C	Height		1050
D			580
E			385
F			295
G			80
H			50
I			100
J			120
K			90
L			520
1	Operating panel		
2	Door opening ø 392 mm		
3	Electrical connection		
4	Exhaust connection		
5	Gas connection		

Front and side panels in silver grey and dark blue (color samples can be ordered on part number 472998313).

* Sound power levels measured according to ISO 60704.

** Average data. Crated weight/shipping volume depends on configuration. Please contact logistics for exact measures.



For more information about Efficient Dosing System please refer to the EDS Product Data Sheet

Efficient Dosing System	230V / 50Hz	115V / 60Hz
EDS complete kit with 2 pumps	988916901	988916911
EDS complete kit with 3 pumps	988916902	988916912
EDS complete kit with 4 pumps	988916903	988916913
EDS complete kit with 5 pumps	988916904	988916914
EDS complete kit with 6 pumps	988916935	988916915
EDS Controller	988916937	988916937
EDS 24V Interface	988916941	988916941

Low level alarm		Description	PNC
Power supply	230V AC 50/60Hz	Low level alarm	988916610
Peak power absorbed	4W	Low level probe	988916611
Number of level sensor inputs	7 opto-isolated	LLA & 2 probes	988916612
Entry probes	Low voltage contact	LLA & 3 probes	988916613
Degree of protection	IP 65	LLA & 4 probes	988916614
	Relay contact NA250V 8A	LLA & 5 probes	988916615
Alarm output	max.	LLA & 6 probes	988916616

Electrolux Professional name and description	Packaging 20 litres	Packaging 10 litres
W01 - lagoon Sensitive Detergent Professional detergent for natural/animal fiber	432731085	432731086
W03 - lagoon Sensitive Conditioner Professional conditioner for natural/animal fiber	432731087	432731088
W02 - lagoon Delicate Detergent Professional delicate universal detergent	432731089	432731090

For further information including spotting agents, please refer to the lagoon detergent Product Data Sheet



BASE; open front and sides with wheels


Suitable for models: TD6-7LAC
 988918477 Height: 370 mm
 Material: Stainless steel
 988918478 Height: 370 mm
 Material: Galvanised, silver grey painted

BASE; closed front and sides


Suitable for models: WH6-6LAC
 988918473 Height: 100 mm
 Material: Stainless steel
 988918474 Height: 100 mm
 Material: Galvanised, silver grey painted

BASE; closed front and sides with wheels


Suitable for models: TD6-7LAC
 988918475 Height: 100 mm
 Material: Stainless steel
 988918476 Height: 100 mm
 Material: Galvanised, silver grey painted

BASE; closed front and sides


Suitable for models: WH6-6LAC
 988918483 Height: 290 mm
 Material: Stainless steel front and galvanised, silver grey painted sides
 988918484 Height: 290 mm
 Material: Galvanised, silver grey painted front and sides
 988918485 Height: 290 mm
 Material: Stainless steel front and galvanised, silver grey painted sides
 Special version "floating foundation" - concrete filled
 988918486 Height: 290 mm
 Material: Galvanised, silver grey painted front and sides
 Special version "floating foundation" - concrete filled

STACKING KIT with or without base


Suitable for models: WH6-6LAC with TD6-7LAC
 988918479 Stainless steel stacking kit without the base
 988918480 Galvanised, silver grey painted stacking kit without the base
 988918481 + 988918473 Stainless steel stacking kit with the base included
 988918482 + 988918474 Galvanised, silver grey painted stacking with the base included
 988918481 Stainless steel stacking kit, when re-using existing base
 988918482 Galvanised, silver grey painted stacking, when re-using existing base